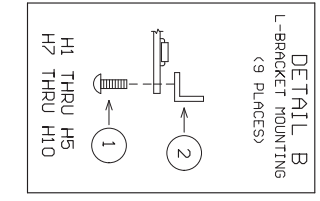
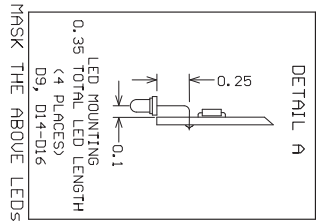
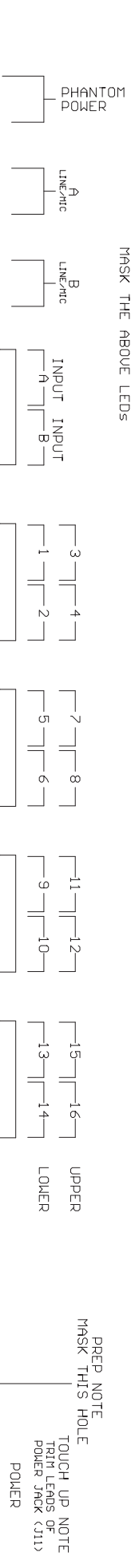
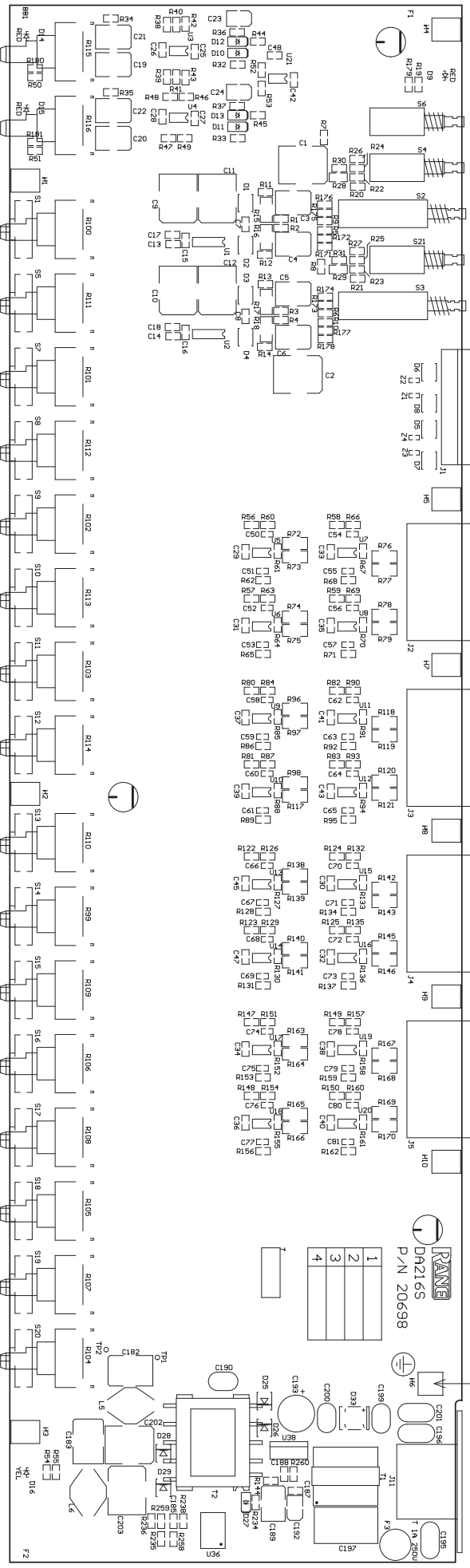


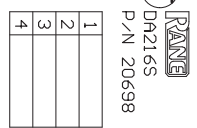
MASTER LEVEL A
MASTER LEVEL B

1 2 3 4 5 6 7 8 9 10 11 12 13 14 15 16

OUTPUT LEVELS

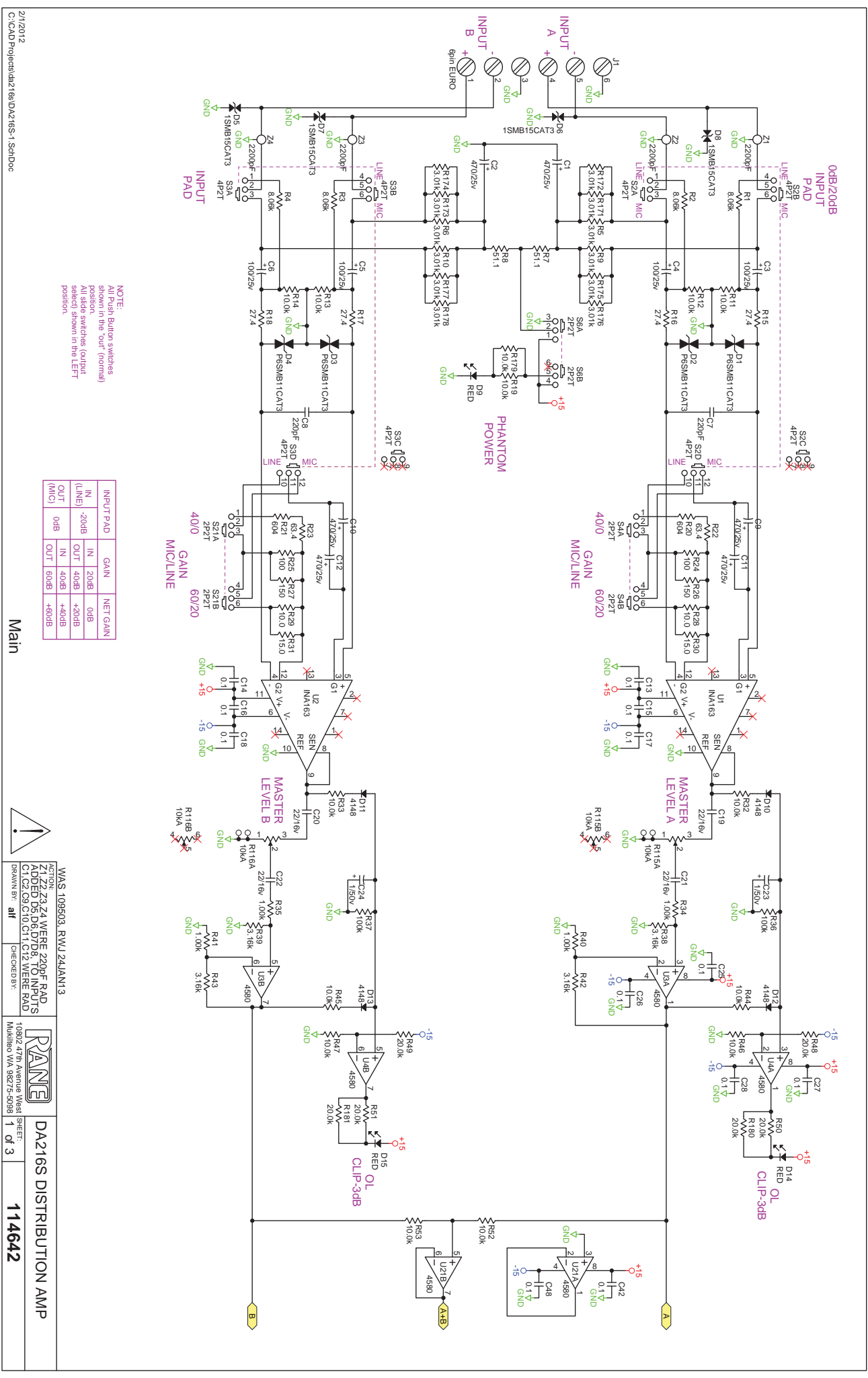


114646 FILM 1 OF 5 COMPONENT SIDE SILKSCREEN DA216S



PREP NOTE
MASK THIS HOLE
TOUCH UP NOTE
TOUR LEADS OF
POWER JACK (J11)
POWER





NOTE:
 All Push Buttons switches
 are shown in the "ON" position.
 All slide switches (output
 selected) shown in the LEFT
 position.

INPUT/PAD	GAIN	NET GAIN
IN	20dB	0dB
LINE	40dB	+20dB
OUT	40dB	+40dB
MIC	60dB	+80dB

Main



WAS 109503, RWJ 24JAN13

ACTION:
 Z1 Z2 Z3 Z4 WERE 220P F RADS
 ADDED D5 D6 D7 D8 TO INPUTS
 C1 C2 C3 C7 C10 C11 C12 WERE RAD

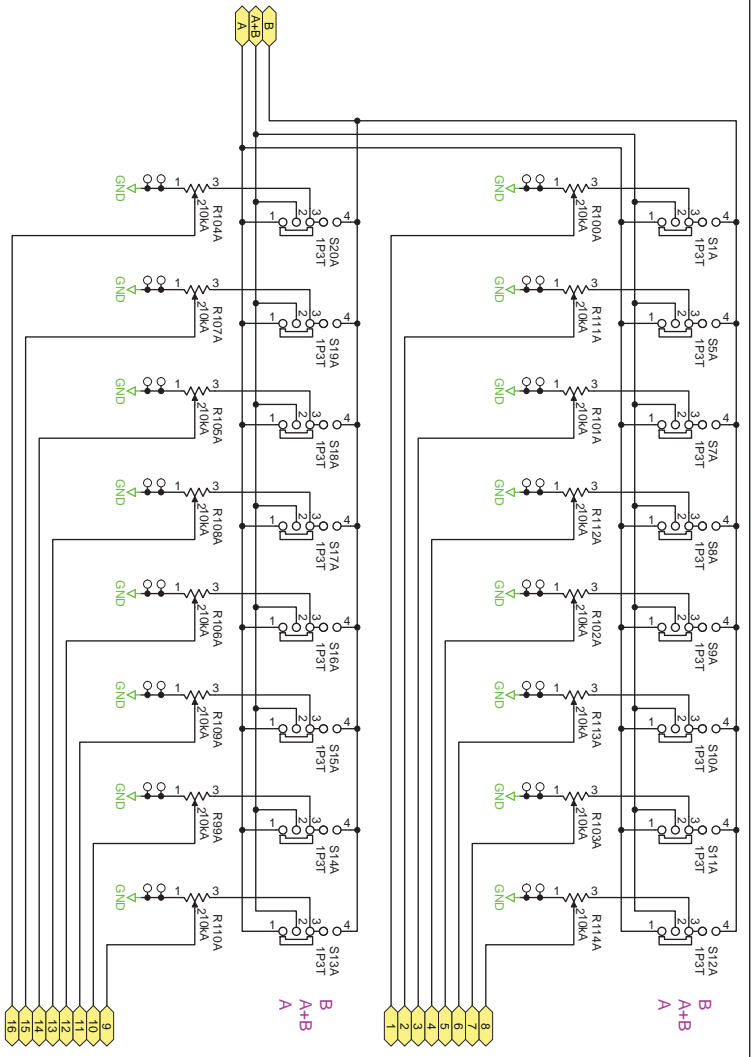
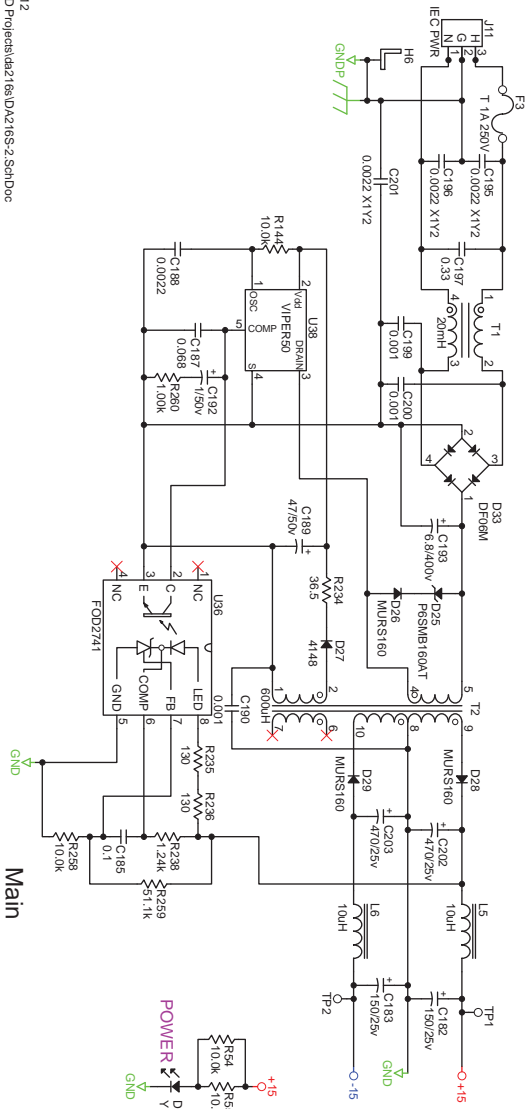
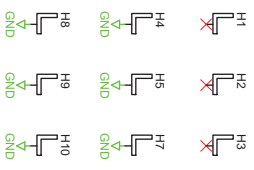
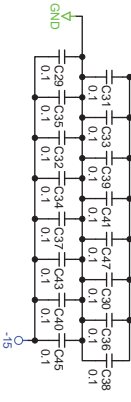
CHK'D BY: **air** CHECKED BY:

RANE DA216S DISTRIBUTION AMP

10902 47th Avenue West
 Mukilteo WA 98275-5098

SHEET 1 of 3

114642



R100A	R100B	R100C	R100D	R100E	R100F	R100G	R100H	R100I	R100J	R100K	R100L	R100M	R100N	R100O	R100P	R100Q	R100R	R100S	R100T	R100U	R100V	R100W	R100X	R100Y	R100Z
R101A	R101B	R101C	R101D	R101E	R101F	R101G	R101H	R101I	R101J	R101K	R101L	R101M	R101N	R101O	R101P	R101Q	R101R	R101S	R101T	R101U	R101V	R101W	R101X	R101Y	R101Z
R102A	R102B	R102C	R102D	R102E	R102F	R102G	R102H	R102I	R102J	R102K	R102L	R102M	R102N	R102O	R102P	R102Q	R102R	R102S	R102T	R102U	R102V	R102W	R102X	R102Y	R102Z
R103A	R103B	R103C	R103D	R103E	R103F	R103G	R103H	R103I	R103J	R103K	R103L	R103M	R103N	R103O	R103P	R103Q	R103R	R103S	R103T	R103U	R103V	R103W	R103X	R103Y	R103Z
R104A	R104B	R104C	R104D	R104E	R104F	R104G	R104H	R104I	R104J	R104K	R104L	R104M	R104N	R104O	R104P	R104Q	R104R	R104S	R104T	R104U	R104V	R104W	R104X	R104Y	R104Z
R105A	R105B	R105C	R105D	R105E	R105F	R105G	R105H	R105I	R105J	R105K	R105L	R105M	R105N	R105O	R105P	R105Q	R105R	R105S	R105T	R105U	R105V	R105W	R105X	R105Y	R105Z
R106A	R106B	R106C	R106D	R106E	R106F	R106G	R106H	R106I	R106J	R106K	R106L	R106M	R106N	R106O	R106P	R106Q	R106R	R106S	R106T	R106U	R106V	R106W	R106X	R106Y	R106Z
R107A	R107B	R107C	R107D	R107E	R107F	R107G	R107H	R107I	R107J	R107K	R107L	R107M	R107N	R107O	R107P	R107Q	R107R	R107S	R107T	R107U	R107V	R107W	R107X	R107Y	R107Z
R108A	R108B	R108C	R108D	R108E	R108F	R108G	R108H	R108I	R108J	R108K	R108L	R108M	R108N	R108O	R108P	R108Q	R108R	R108S	R108T	R108U	R108V	R108W	R108X	R108Y	R108Z
R109A	R109B	R109C	R109D	R109E	R109F	R109G	R109H	R109I	R109J	R109K	R109L	R109M	R109N	R109O	R109P	R109Q	R109R	R109S	R109T	R109U	R109V	R109W	R109X	R109Y	R109Z
R110A	R110B	R110C	R110D	R110E	R110F	R110G	R110H	R110I	R110J	R110K	R110L	R110M	R110N	R110O	R110P	R110Q	R110R	R110S	R110T	R110U	R110V	R110W	R110X	R110Y	R110Z
R111A	R111B	R111C	R111D	R111E	R111F	R111G	R111H	R111I	R111J	R111K	R111L	R111M	R111N	R111O	R111P	R111Q	R111R	R111S	R111T	R111U	R111V	R111W	R111X	R111Y	R111Z
R112A	R112B	R112C	R112D	R112E	R112F	R112G	R112H	R112I	R112J	R112K	R112L	R112M	R112N	R112O	R112P	R112Q	R112R	R112S	R112T	R112U	R112V	R112W	R112X	R112Y	R112Z
R113A	R113B	R113C	R113D	R113E	R113F	R113G	R113H	R113I	R113J	R113K	R113L	R113M	R113N	R113O	R113P	R113Q	R113R	R113S	R113T	R113U	R113V	R113W	R113X	R113Y	R113Z
R114A	R114B	R114C	R114D	R114E	R114F	R114G	R114H	R114I	R114J	R114K	R114L	R114M	R114N	R114O	R114P	R114Q	R114R	R114S	R114T	R114U	R114V	R114W	R114X	R114Y	R114Z



Main

WAS 109503, RWJ 24JUN12

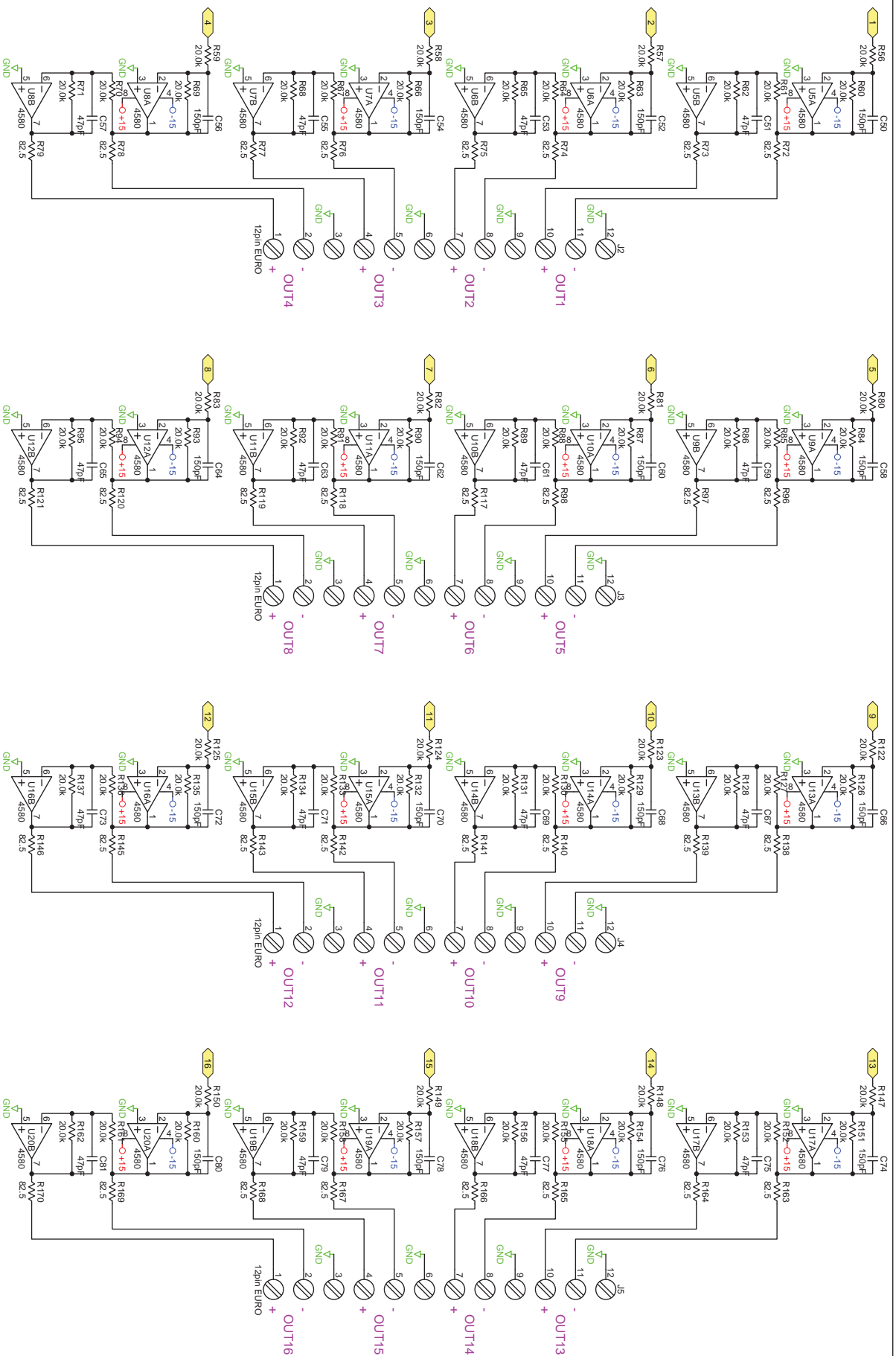
ACTION:	C202, C203 WERE 470/16V RAD
DESIGN BY:	air
CHECKED BY:	

10902 47th Avenue West
Mukilteo WA 98275-5098

DA216S SELECTION MATRIX

SHEET 2 of 3

114642



Main



ACTION:
 NO CHANGES ON THIS PAGE
 WMS 109503, RWJ 24JAN12
 DRAWN BY: air
 CHECKED BY:

RANE
 10902 47th Avenue West
 Mukilteo WA 98275-5098

DA216S OUTPUT DRIVERS
 SHEET 3 of 3
 114642