

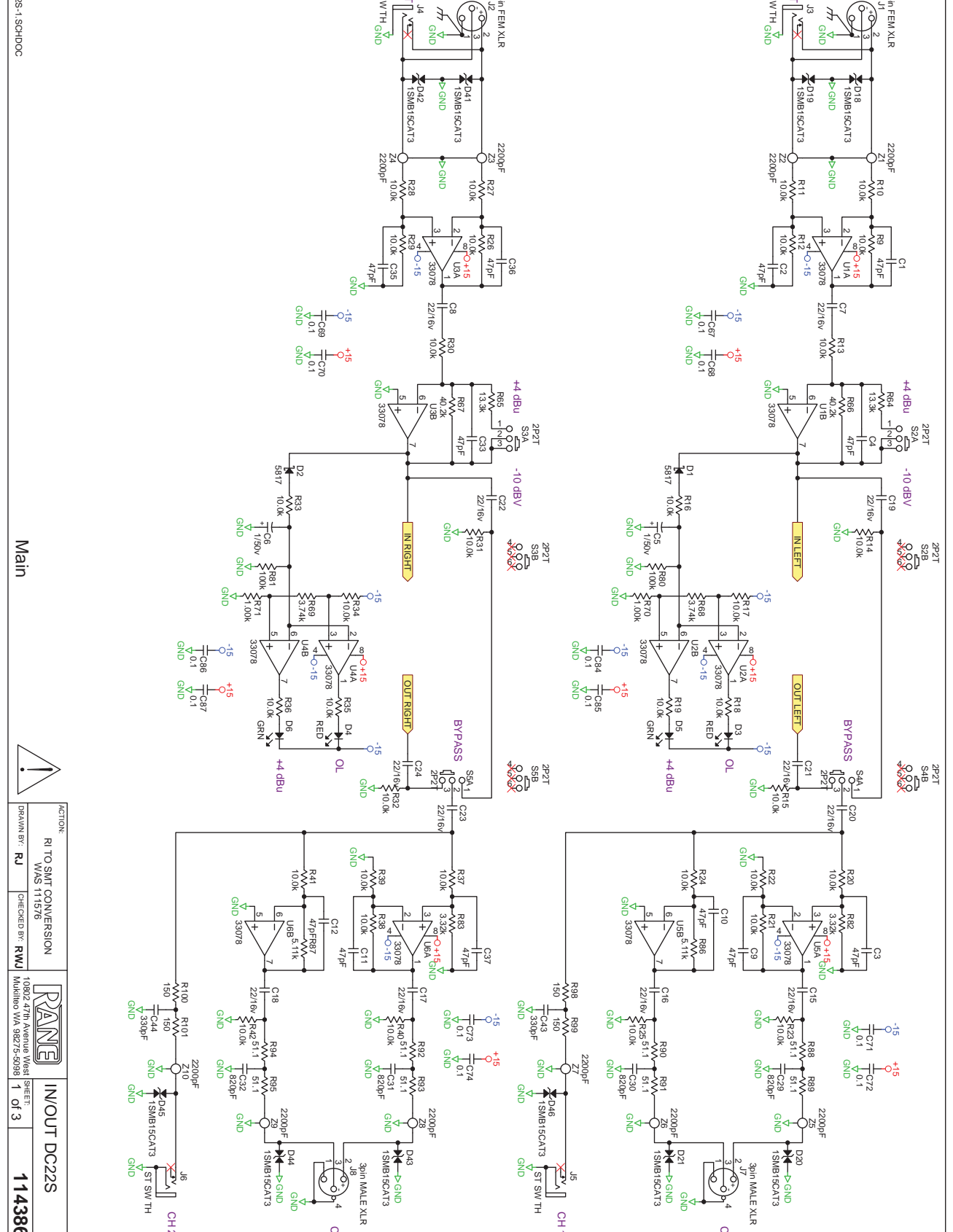
1
2
3
4

RANE
 DC22S
 20465

114383 FILM 1 OF 5 TOP SILKSCREEN DC22S

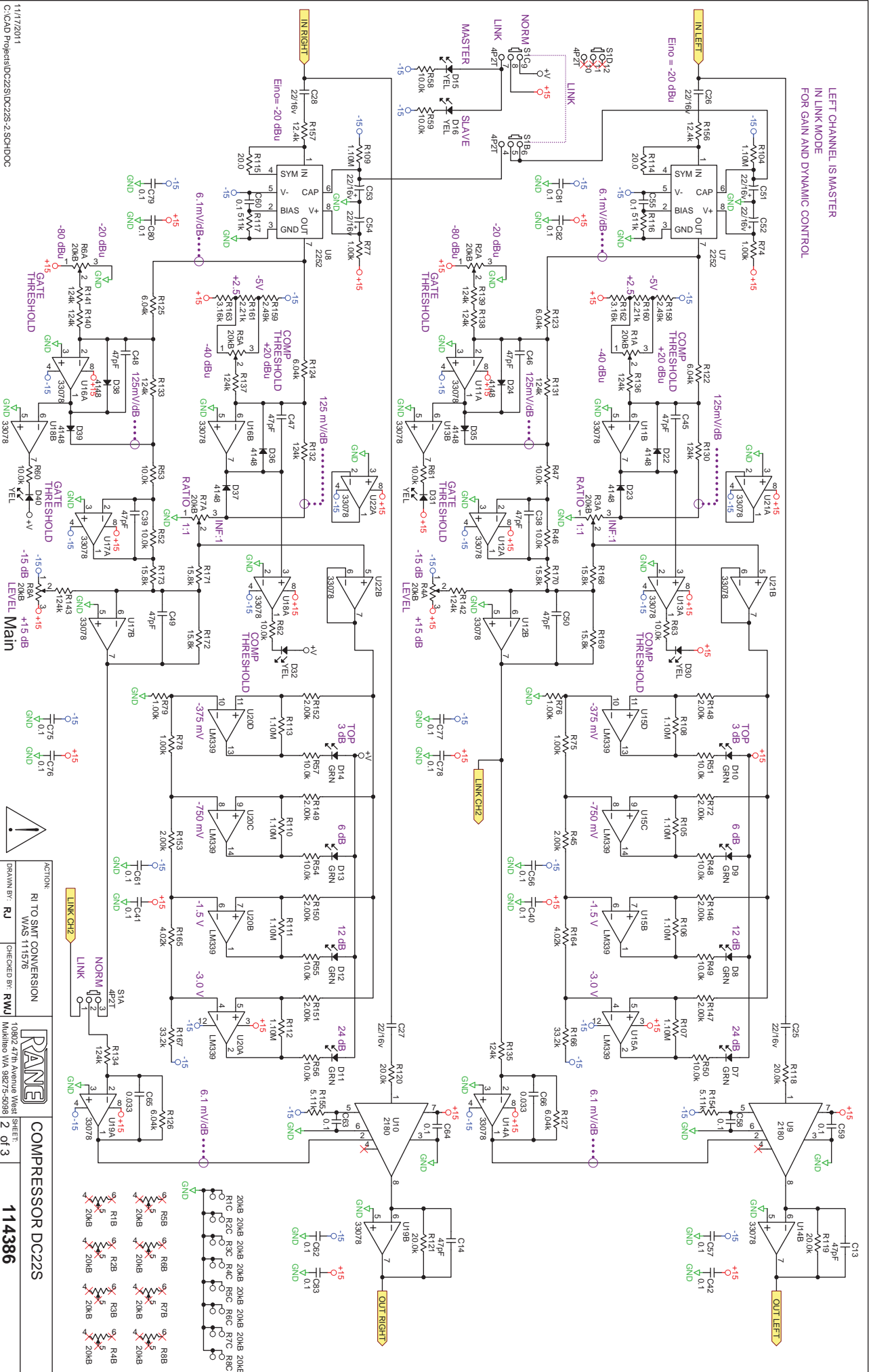
POWER THIS HOLE AND ALL LEADS

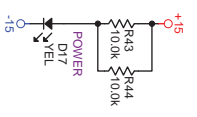
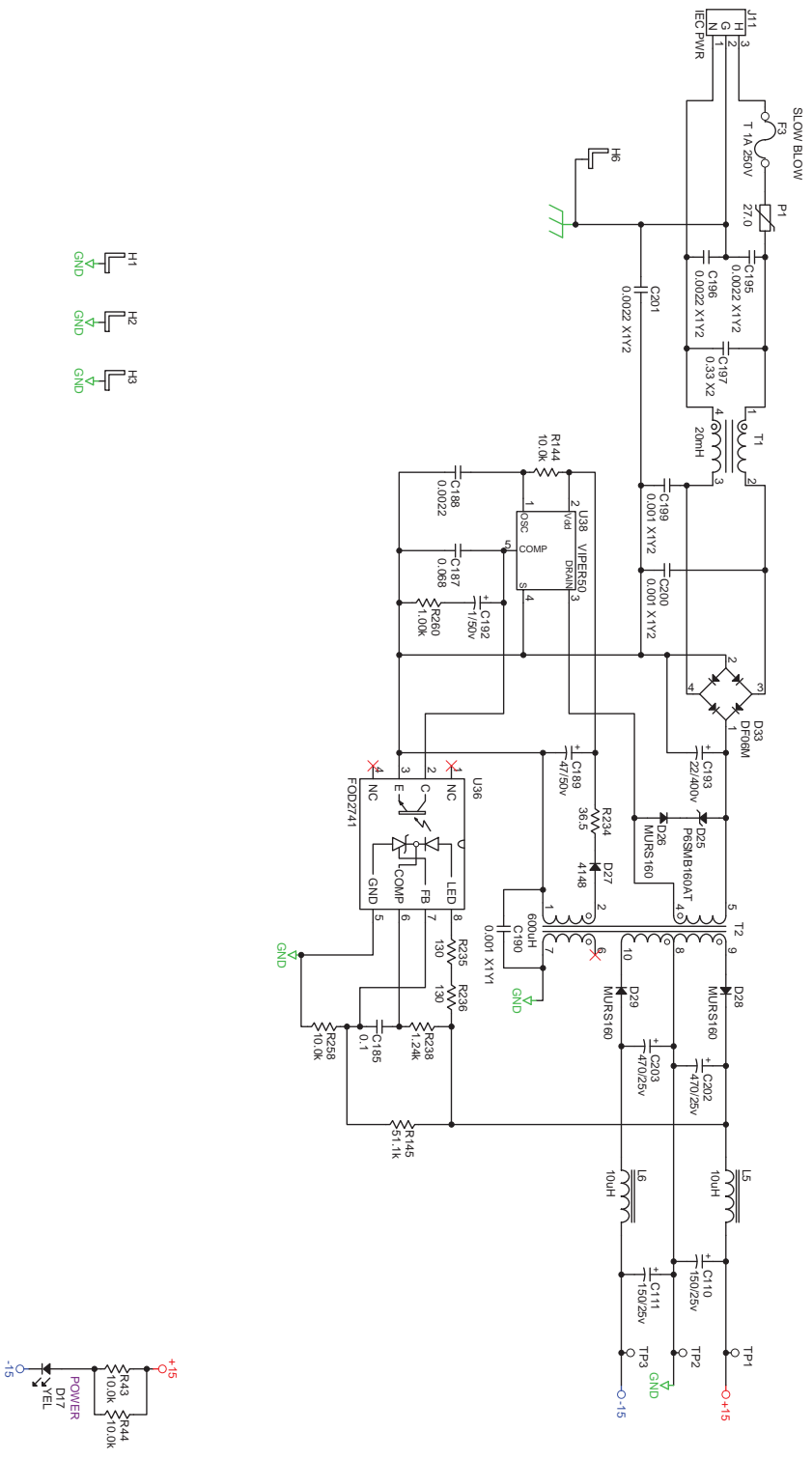




ACTION:		RI TO SMT CONVERSION	
DRYAN BR	RU	CHECKED BY	RWJ
11/17/2011		10802 47th Avenue West	
C:\CAD Projects\DC22S\DC22S-1.SCHDOC		Mukilteo WA 98275-5098	
Main		SHEET 1 OF 3	
114386		IN/OUT DC22S	

LEFT CHANNEL IS MASTER
IN LINK MODE
FOR GAIN AND DYNAMIC CONTROL





Main



ACTION:		RI TO SMT CONVERSION		POWER SUPPLY DC22S	
DRAWN BY:	RJ	CHECKED BY:	RWJ	SHEET	3 OF 3
10902 47th Avenue West		10902 47th Avenue West		SHEET	
Mukilteo WA 98275-5098		Mukilteo WA 98275-5098		3 OF 3	
114386		114386		114386	