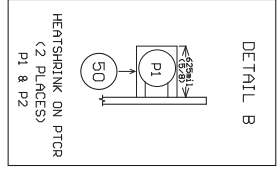
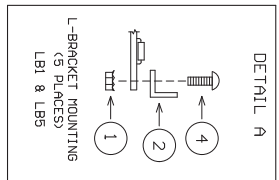
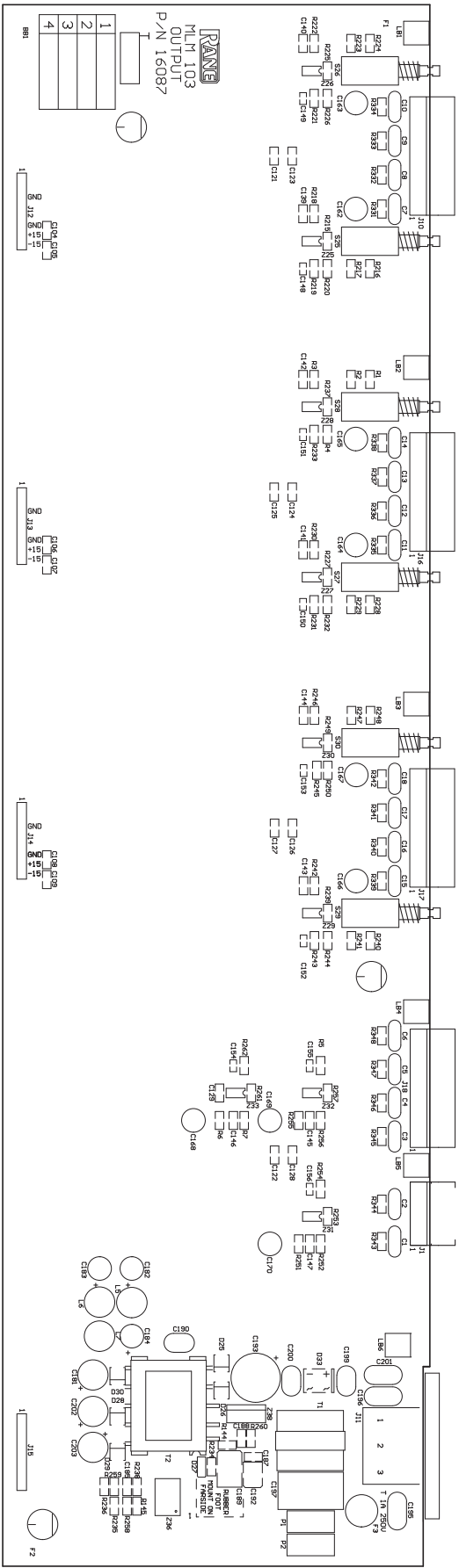
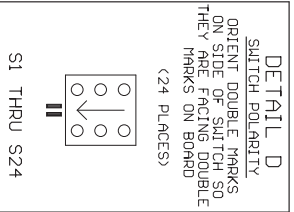
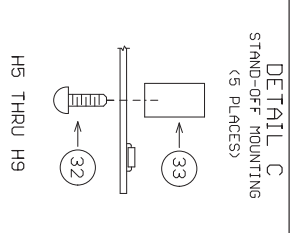
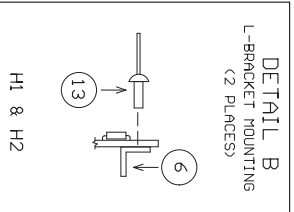
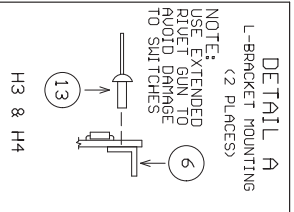


Rane Corp. (425)355-6000
 106322 DES INPUT MLM 103 SHEET 1 OF 2
 ACTION: WAS DOC 105264, CHG R1-R6 FROM 16MM TO
 14MM POTS, MOVE 12 RES (R7-R18) SKH 16AUG02

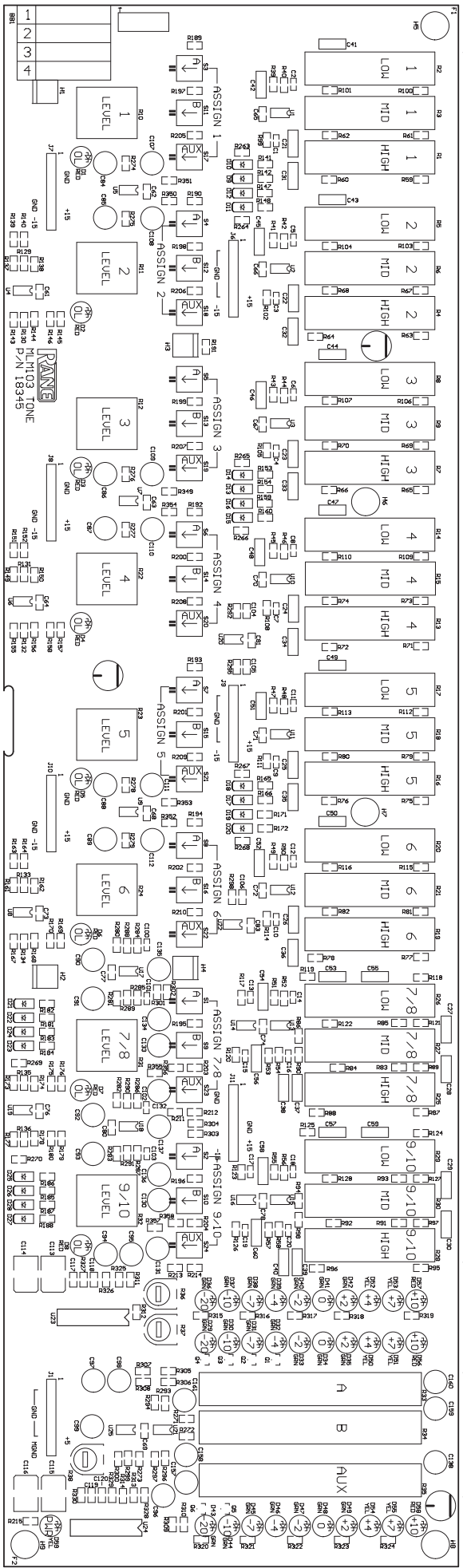


NOTES:
 TRIM LEADS LONGER THAN 0.15 LONG
 MASK LB6





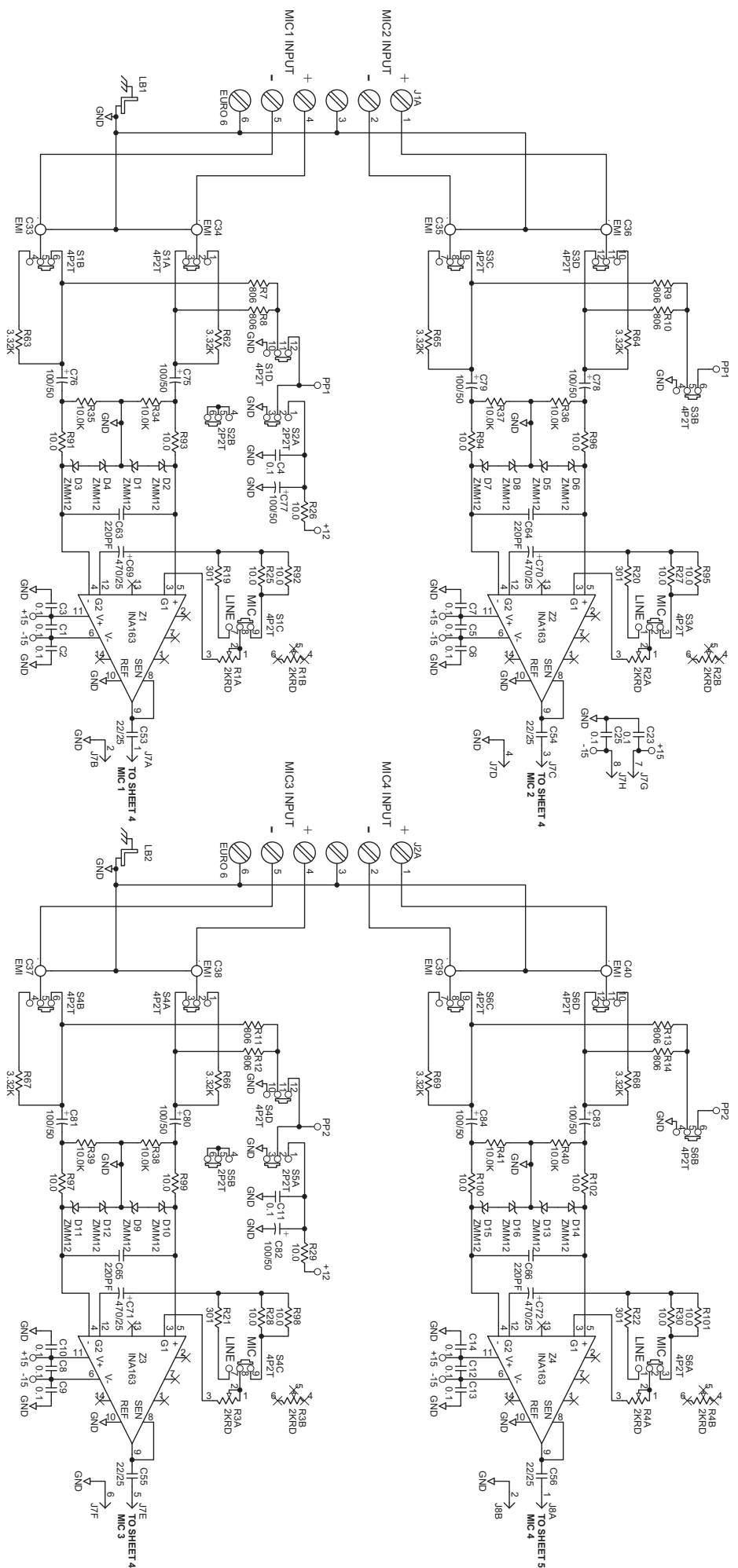
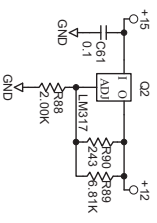
111964 FILM 1 OF 5 TOP SILKSCREEN MLM103



INPUT 2
109793-2.SCH

MIC INPUT Z = 745 OHMS
LINE INPUT Z = 4K OHMS
LINE PAD = 14.7 DB

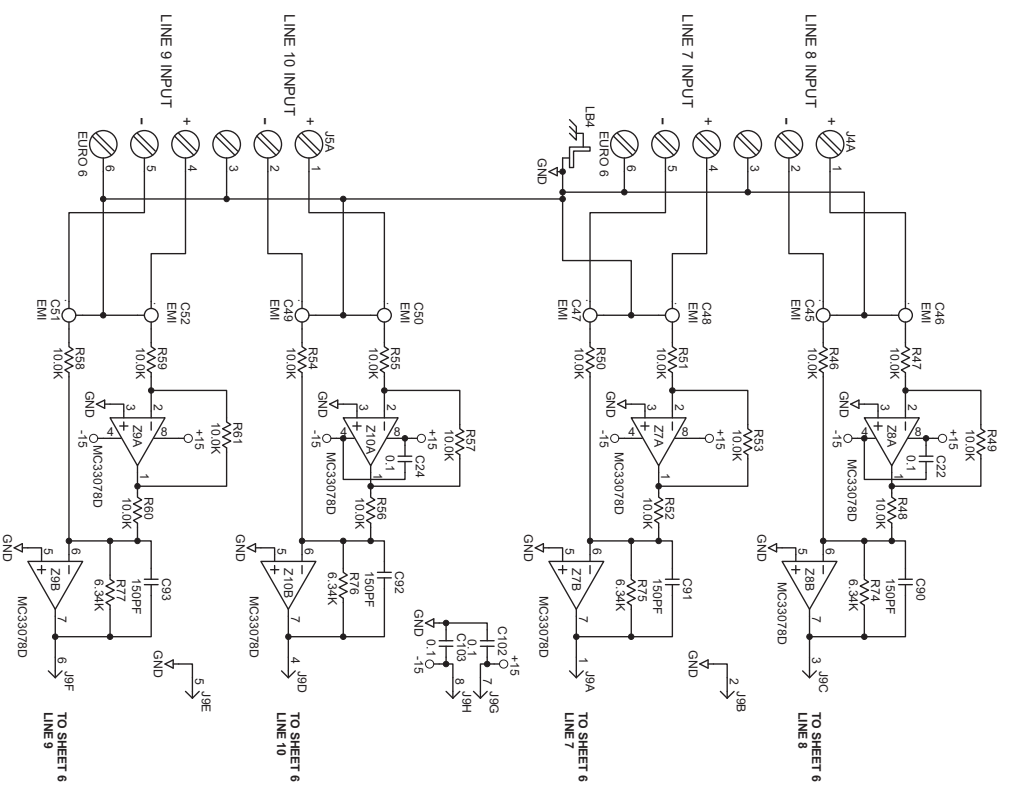
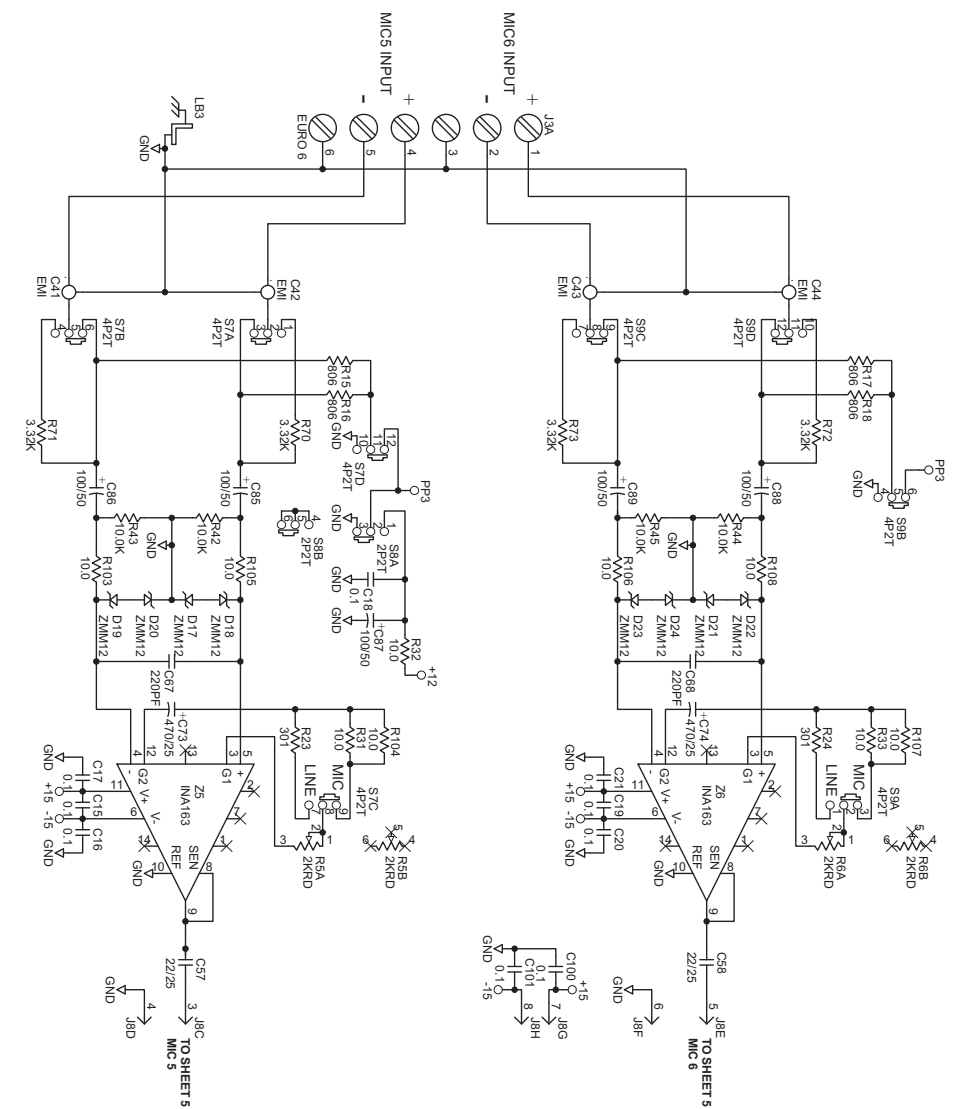
MIC G RANGE = 12 DB -> 60 DB
LINE G RANGE = 8 DB -> 26 DB
NET LINE G RANGE = -6 DB -> 12 DB



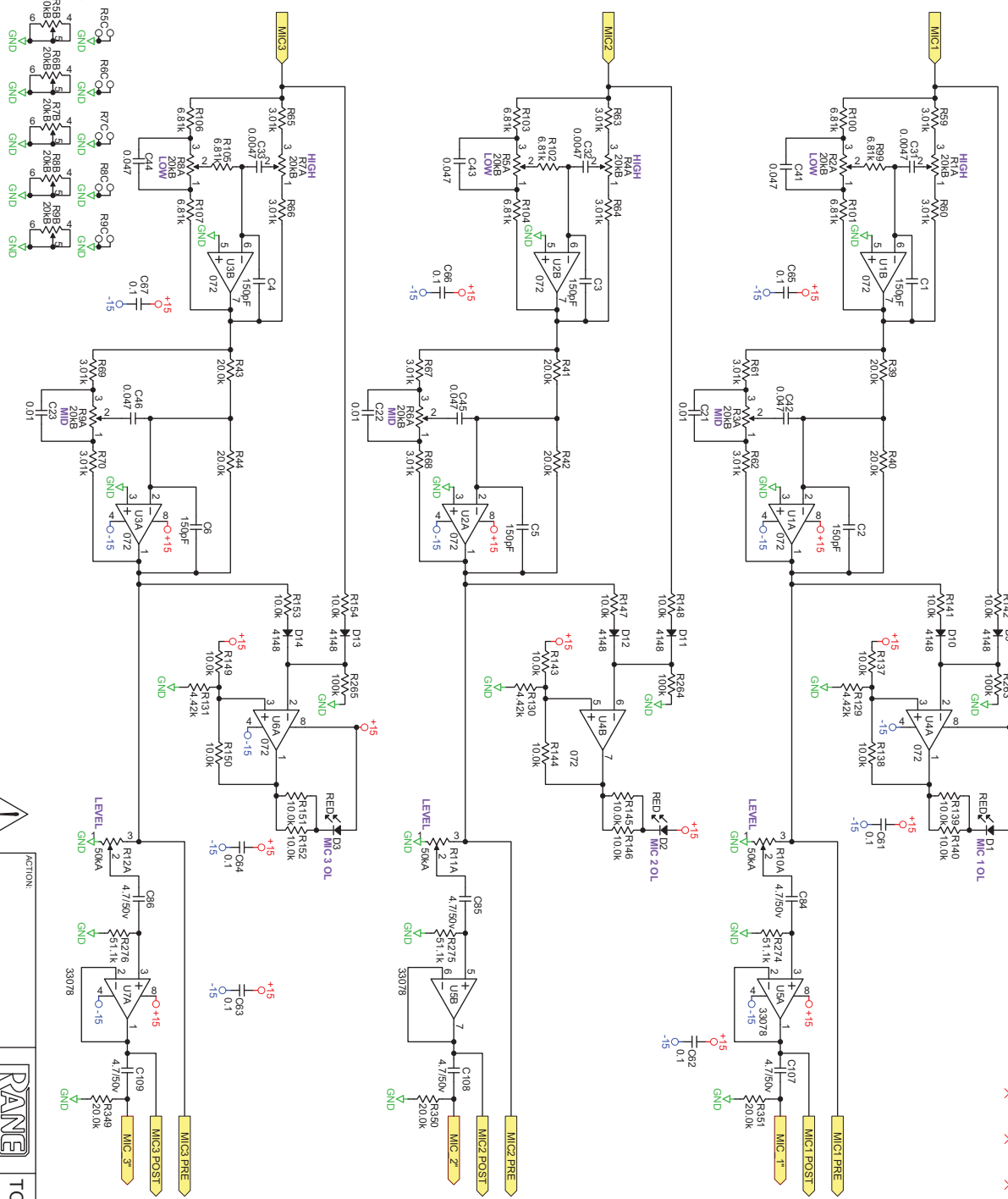
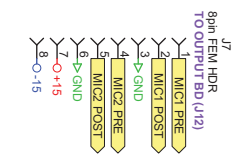
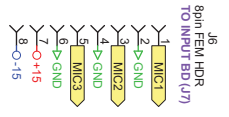
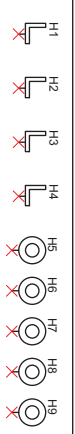
ACTION: NO CHANGE TO THIS SHEET WAS DOC# 104542, SKH 03AUG01	DRAWN BY: RU	CHECKED BY: RG	10802 47th Avenue West Mukwonago WA 98275-5081	SHEET INPUT 1 MLM 103
				OF 2 109793

MIC INPUT Z = 745 OHMS
 LINE INPUT Z = 4K OHMS
 LINE PAD = 14.7 DB

MIC g RANGE = 15.5 DB -> 60 DB
 LINE g RANGE = 14 DB -> 26 DB
 NET LINE g RANGE = -7 DB -> 12 DB



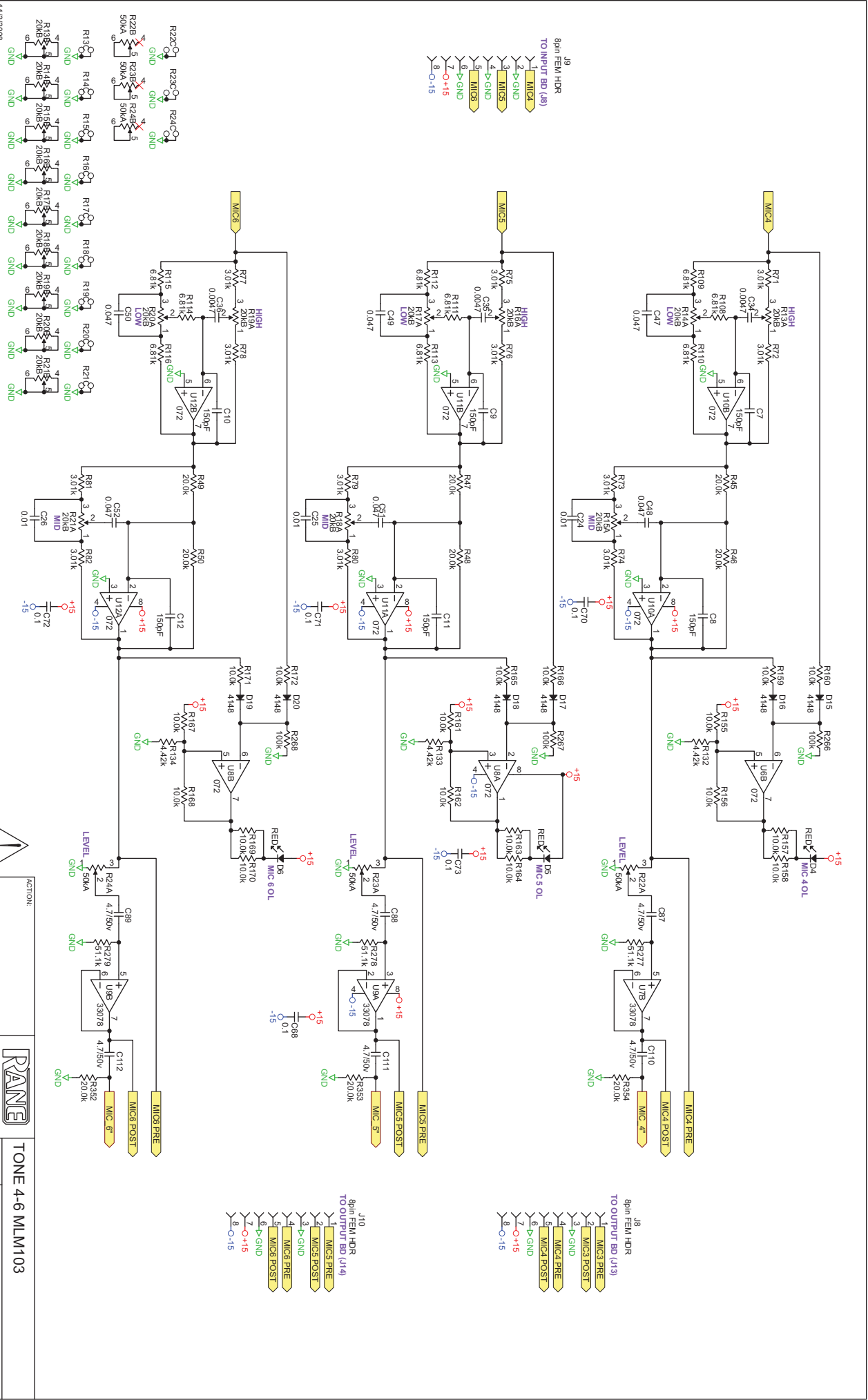
ACTION: NO CHANGE TO THIS SHEET. WAS DOCP# 1084942, SKH 03AUG01	DESIGNED BY: RU	10802 47th Avenue West Mukilteo WA 98275-5098	SHEET: 2 of 2	109793
	CHECKED BY: RG			
PANE				
INPUT 2 MLM 103				



11/3/2008
C:\CAD\Projects\MLM103\TONE-1.SchDoc



ACTION:	DESIGN BY: RU	CHECKED BY:	10902 47th Avenue West Murrieta, CA 92755-5098	SHEET	1 of 4
			RANE	TONE 1-3 MLM103	
				111591	



11/3/2008
C:\CAD\Projects\MLM103\TONE-2-SchDoc

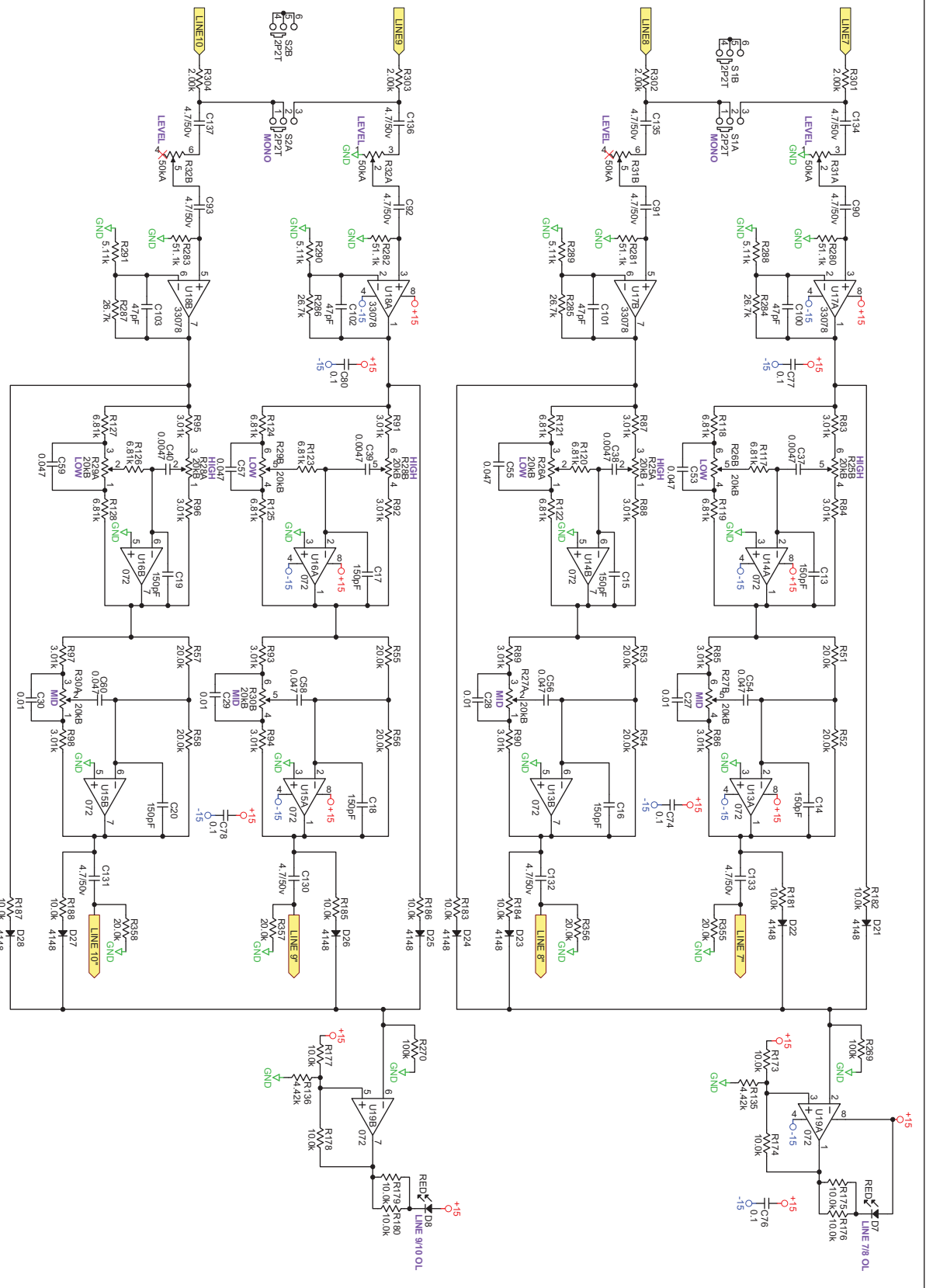


ACTION:	DRAWN BY: RU	CHECKED BY:
RANE		
10902 47th Avenue West Murkhibo WA 98275-5098		
SHEET	2	of 4

TONE 4-6 MLM103
111591

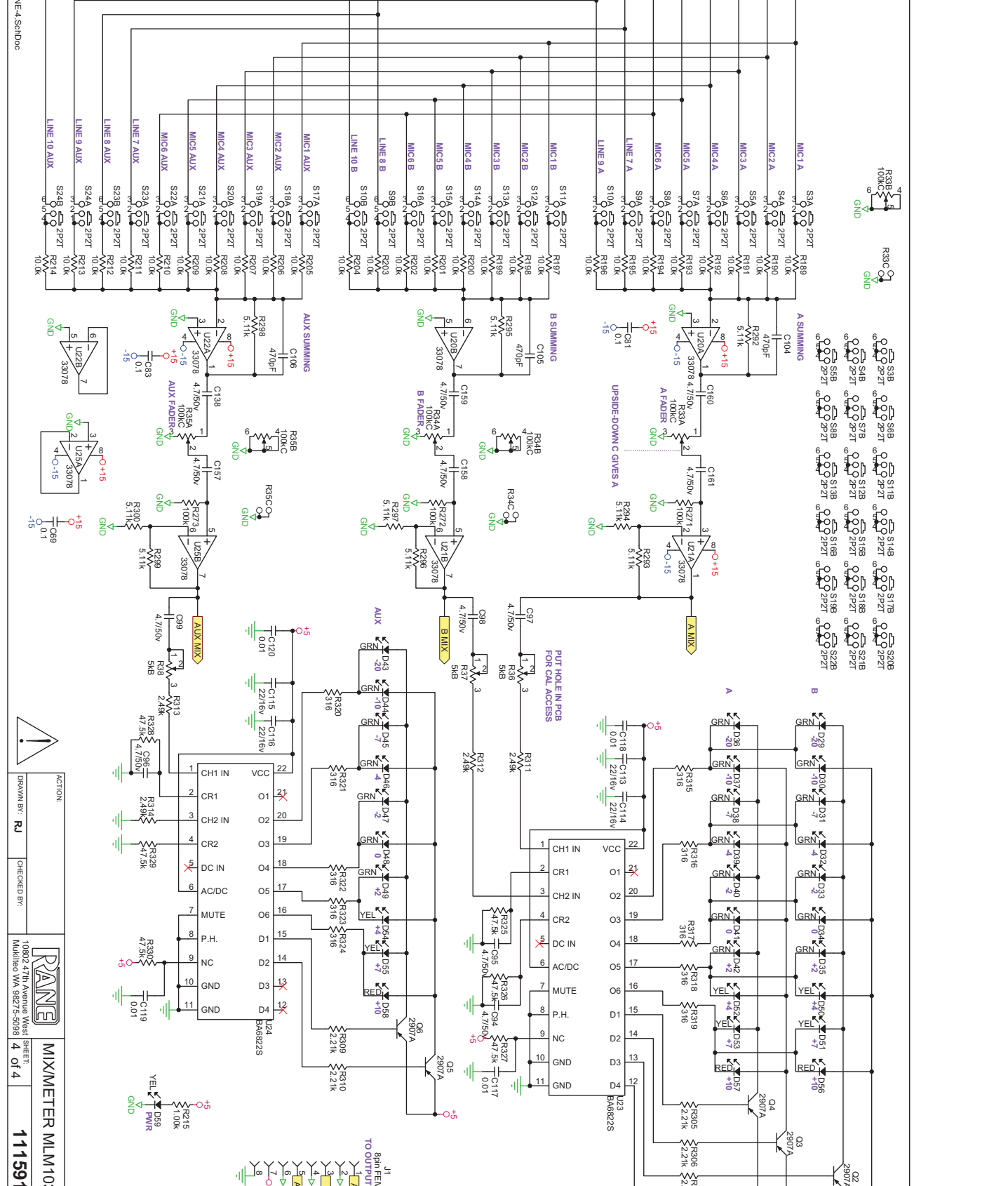
FROM SHEET 2
LINE 7
8pin FEMHDR
TOP INPUT BD (U)

- LINE 7
- > GND
- LINE 8
- LINE 9
- > GND
- LINE 8
- > GND
- LINE 9
- > -15



R25C01 R26C01 R27C01 R28C01 R29C01 R30C01 R31C01 R32C01
20kΩ 20kΩ 20kΩ 20kΩ 20kΩ 50kΩ 50kΩ 50kΩ
GND GND GND GND GND GND GND GND

ACTION:	DESIGN BY: RU	CHECKED BY:
---------	---------------	-------------



11/3/2008
 C:\CAD\Projects\MLM103\TONE-4-Sch.Ddc

ACTION:	DRAWN BY: RU	CHECKED BY:	10902 47th Avenue West MultiMedia VVA 98275-5098	SHEET 4 OF 4	MIXMETER MLM103	111591
---------	---------------------	-------------	-----------------------------------------------------	-------------------------------	------------------------	---------------

8pin FEM HDR
 TO OUTPUT BU (J1)
 1 -> A MIX
 2 -> GND
 3 -> B MIX
 4 -> GND
 5 -> AUX MIX
 6 -> GND
 7 -> O-15
 8 -> GND