

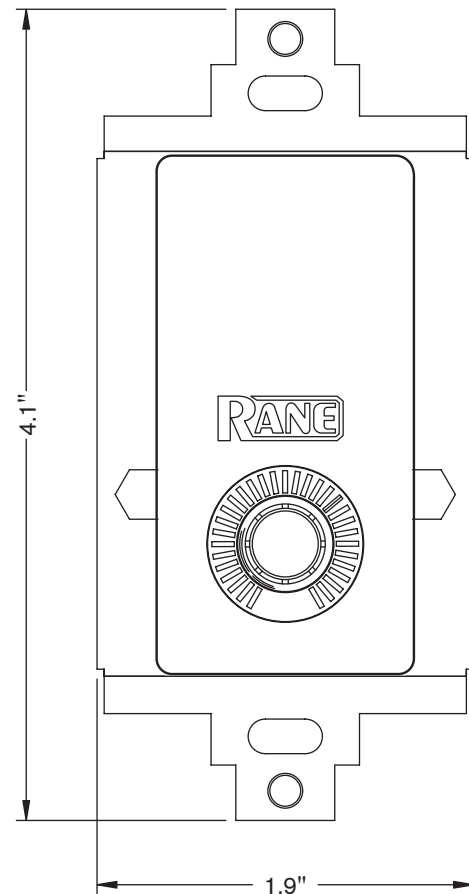
General Description

The Rane SR 2 Smart Remote is a generic, wired, RS-485 remote control with a 31-position LED indicator, data encoder with built in push switch. SR Configurator software (included) sets up the SR 2 device. Due to the built-in push switch, the SR 2 can be used to control two parameters: Level and Second Level. The encoder can be locked out by grounding the Encoder Lock terminal and enabling Auto Lock in the SR Configurator software.

The SR 2 can be configured to automatically handle the data encoder and lockout functions, or these can be handled manually by a host controller via Rane RW 485 protocol.

The SR 2 is electrically compatible with standard RS-485 interfaces plus power, thus requiring only a CAT 5 cable with two twisted pairs. A chassis terminal is provided for shielded termination when shielded CAT 5 cable is used.

The SR 2 mounts in a standard U.S. electrical box with a minimum depth of 2¼ inches, and can be flush covered with a standard Decora® plate cover. Since Decora plates come in different colors, each SR 2 ships with four, different inserts that install behind the lens. Colors included are white (w/ black logo), white (w/ almond logo), almond (w/ black logo) and black (w/ white logo) which accommodate most applications. If the architect or interior decorator requires a custom color, a template is available allowing a custom insert to be made (out of the wall paper if need be) and cut to the proper size.

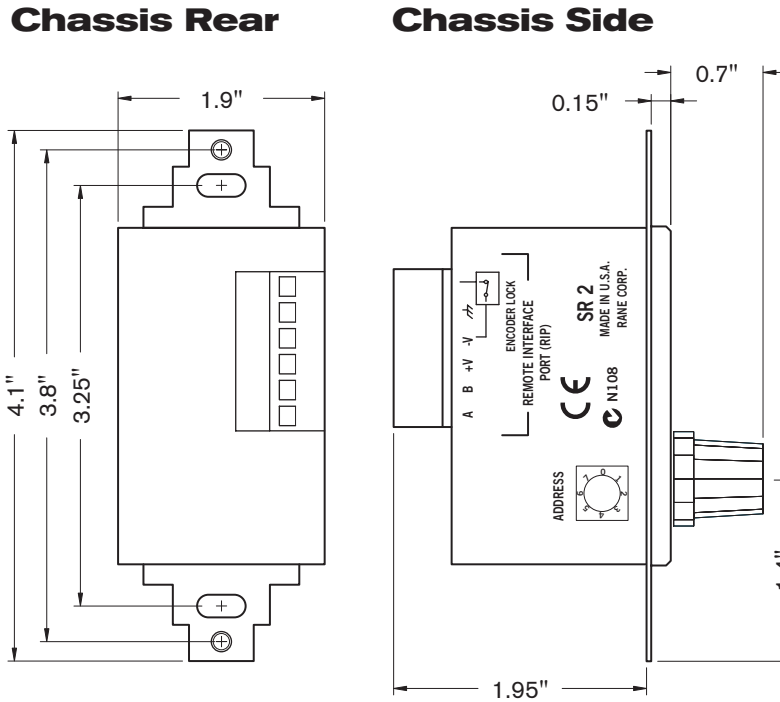


Applications

- 1 to 8 Remotes Can Control Many Zones
- Use the SR 2 as a Generic RS-485 Control to:
 - Select Sources and adjust Volume
 - Select Memories for room combining

Features

- Data Encoder with integrated Push Switch
- Control of two Parameters
- Illuminated 31-segment orange Level indicator
- Allows up to 8 Remotes on a single RS-485 connection
- Fits standard U.S. electrical box
- Standard Decora color schemes included
- Pluggable Euroblock connector
- Star and/or series wiring compatible



Note: Due to the width of the SR 2 and SR 3, they cannot be mounted immediately next to another SR 2 or SR 3 and have a dual Decora plate fit the front. However, other remotes can be mounted next to the SR 2 or SR 3, such as the LRS 4, MRS 4, VR 1 or VR 2. If you want two SR 2 or SR 3s next to each other, you will need two single gang boxes mounted with enough space to allow room for the two decor plates.

Parameter	Specifications	Limit	Units	Conditions/Comments
I/O: Type	RS-485			
.....Connector	Euroblock			
.....Impedance	12k	min	Ω	Receive Mode
.....Baud Rate	38400	<1%	bps	RW 485 baud rate
	9600	<1%	bps	Programmable
	19200	<1%	bps	Programmable
	57600	<1%	bps	Programmable
	115200	<1%	bps	Programmable
.....Data Format	N81			No parity, 8 data bits, 1 stop bit
Power Supply Requirement				
.....Supply Voltage	7	min	VDC	Minimum DC voltage @ +V referenced to -V
	16	max	VDC	Maximum DC voltage @ +V referenced to -V
.....Supply Current	45	+1	mA	Communication idle
	73	+2	mA	RW 485 network, no termination, comm. active
Agency Listing	CE (EMC)			EMC directive 89/336/EEC
	CE (safety) Exempt			Exempt per article 1, LVD 73/23/EEC
Unit: Construction	Steel			Chassis
	Polycarbonate			Lens
.....Size	4.1"H x 1.9"W x 2.8"D			(10.4 cm x 4.8 cm x 7.1 cm)
.....Weight	8 oz			(0.23 kg)
Shipping: Size	3.6"H x 11.75"W x 7.2"D			(9.2 cm x 30cm x 18 cm)
.....Weight	1 lb 8 oz			(0.69 kg)